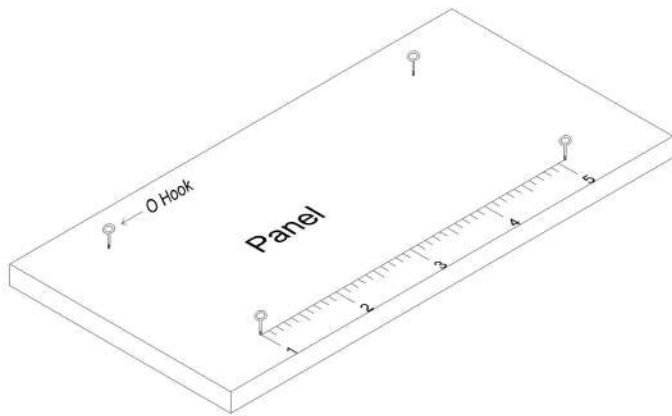


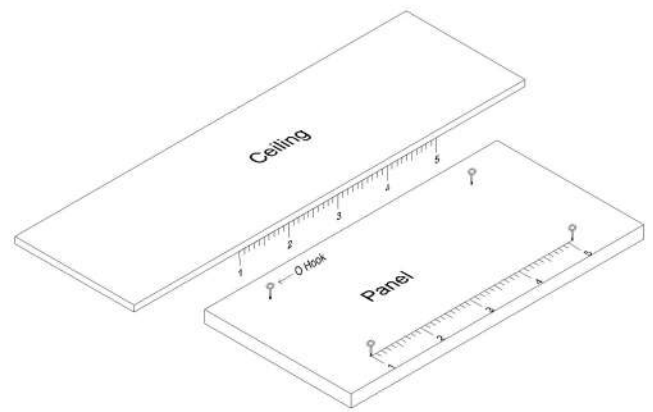
# Installation Steps:

1.



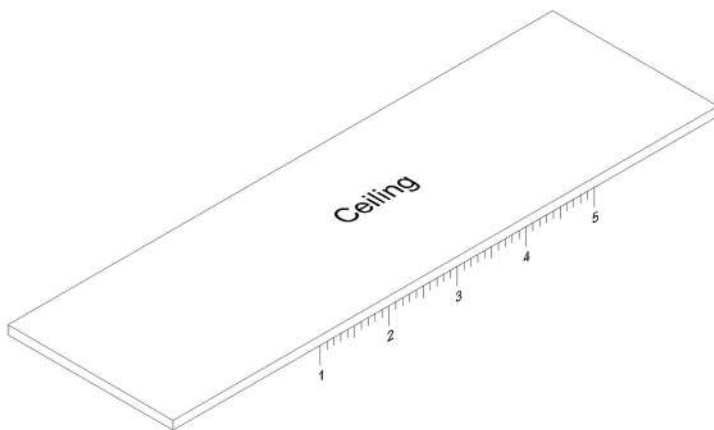
Measure the distance between the 4 O- Hook attached on the panel.

2.



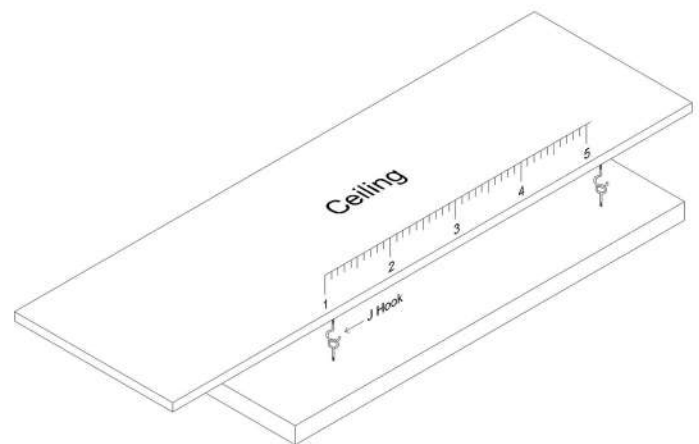
On the ceiling where the panel is going to be installed, make four marks with pencil at same distance as measured between O-Hooks on

3.



Drill on the marks and screw the J-Hooks into it, making sure that its tightly fixed on the ceiling.

4.



Once the J-hooks are in place. just pick up the panel and hang the O-hooks in J-hooks. For more security one can close the J-Hook.