

## **Neptune Ceiling Baffle**

# Ultracoustic

## **Installation Guide**

# Congratulations!

Congratulations on purchasing the Neptune Acoustic Panels from Ultracoustic. The Ultracoustic Neptune Panels is a package of easy to install acoustic panels, that will effectively absorb a broad bandwidth of frequencies and look great for years to come.

The Neptune panels are ideally suited to provide effective acoustic control in applications as diverse as home-theatres, practice rooms, house of worship, offices, call centers & broadcast studios.

Please take a few minutes to read through this install manual.

It includes a list of parts as well as step by step mounting instructions.

Please refer to [www.ultracousticin.com](http://www.ultracousticin.com) for various placement options, benefits and general room acoustic information.

Should you have any questions or comments, we invite you to send us an email at : [info@ultracousticin.com](mailto:info@ultracousticin.com)

## Installation Instructions:

For ceiling installation:

Please make sure the ceiling is appropriate for hanging panels.

If the ceiling is false and has only gypsum on channels then kindly make sure the panels are hanged on the channels and not directly on gypsum (until it has a plywood backing), as there is danger of the panel falling down.

Wall surfaces should be examined prior to installation, ensuring they are clean, smooth, and dry.

If you have unpainted gypsum board surfaces, these should be primed with a wall primer (or another material manufactured especially for the purpose), to equalize the absorption between the gypsum board face paper, joint compound, and skin coating materials.

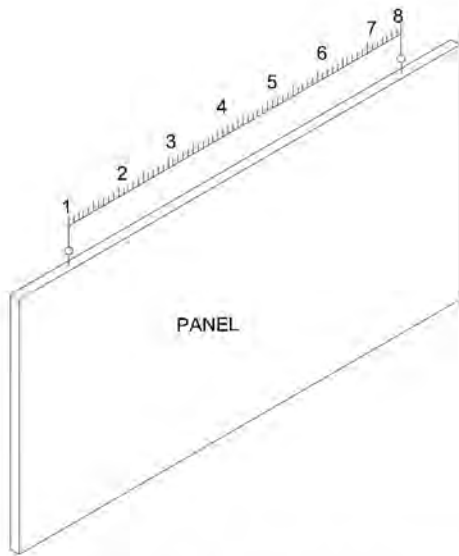
You should then apply the paint, and allow air circulation in order to dry the paint within the time frame specified by the paint manufacturer.

Please ensure the paint is dry before installing the acoustic panel.

Make sure the room has all the conditions necessary to receive the acoustic panels.

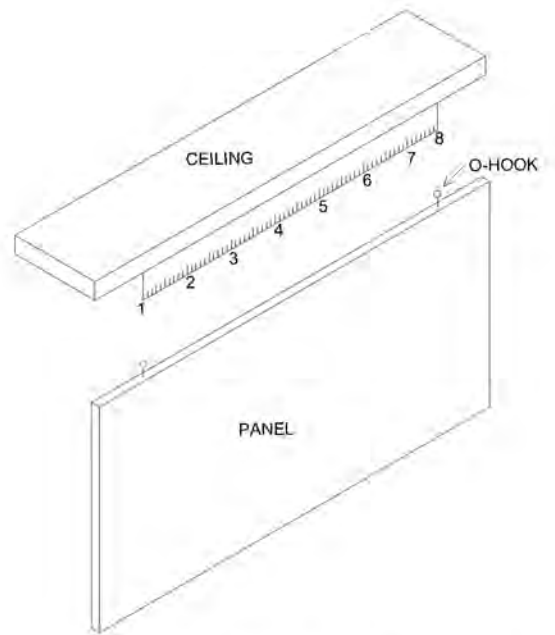
# Installation Steps:

1.



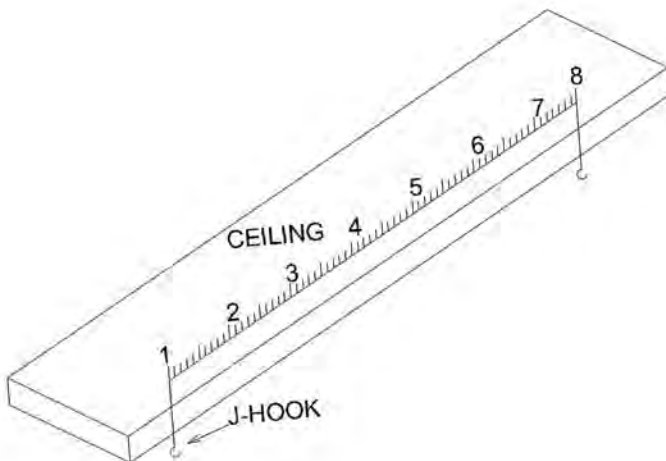
Measure the distance between the 2 O- Hook attached on the panel.

2.



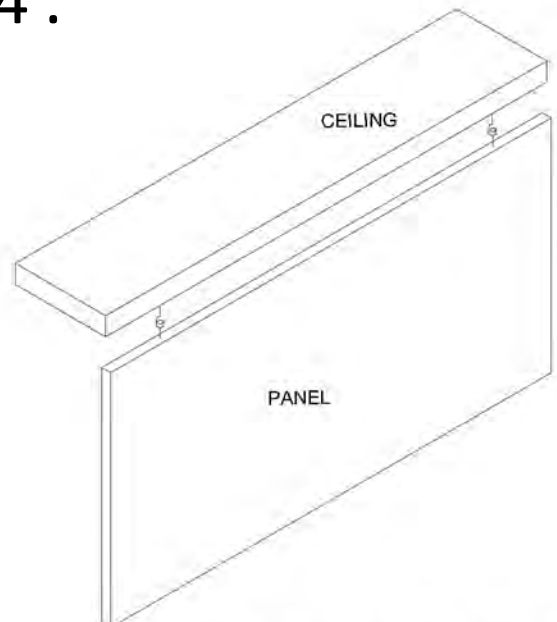
On the ceiling where the panel is going to be installed, make two marks with pencil at same distance as measured between O-Hooks on

3.



Drill on the marks and screw the J-Hooks into it, making sure that its tightly fixed on the ceiling.

4.



Once the J-hooks are in place, just pick up the panel and hang the O-hooks in J-hooks. For more security one can close the J-Hook.

# Warranty:

Please inspect panels immediately after purchase and before mounting.

Ultracoustic acoustic panels are guaranteed to be free of manufacturing defects for a period of fifteen (15) days after purchase.

In the unlikely event that a defect is uncovered, please call 91-72089 07208 to obtain RA number from Ultracoustic before the fifteen (15) day warranty period expires.

Once you have obtained an RA number you must return the product, freight prepaid with ten (10) days after the date the RA number is issued.

Please return the product in the original packaging

(or another, affording an equal degree protection) with all of the following:

- (1) RA number clearly marked on the returned package;
- (2) A receipt or bill of sale showing proof of purchase from an authorized retail seller; and
- (3) A written note describing the defect and including your name, address, telephone number and the applicable RA number.

You are solely responsible for all shipping and insurance costs returning the product to Ultracoustic and you will not be reimbursed or compensated for any loss or damage incurred during return shipping. Ultracoustic will at its discretion repair or replace the panel.

Should the panel be no longer available, Ultracoustic reserves the right to exchange this with a panel of similar performance and value. Due to different dye lots, Ultracoustic cannot guarantee exact colour match. This Warranty shall solely extend to the original owner and is limited to manufacturing defects only and excludes damage due to improper installation, freight handling, wear and tear, abuse, misuse, Misapplication, colour fading or deterioration due to prolonged exposure to ultra violet light, smoke, humidity or other environmental factors. It is understood that the use and suitability of our acoustic panels is entirely the responsibility of the buyer or specifying engineer and as such, these parties agree to hold Ultracoustic, or its associated company, and/or offers, harmless from any responsibility whatsoever other than what is clearly outlined in the warranty.

# Contact Us:

## Address:

Ultracoustic is a division of A R Acoustics LLP. 504, Jupiter, Gaurav Galaxy, Phase II, Mumbai - 401107.

## Telephone No:

(9122) 6560-6002 | 2945 1202

Mobile No.: 72089 07208

Email: [info@ultracousticin.com](mailto:info@ultracousticin.com)

Follow us on: <https://www.instagram.com/ultracoustic/?hl=en>

Specifications and appearances subject to change without notice.

Ultracoustic Neptune manual rev.007 / Part #: R360-xxx-xx Copyright © 2015 All rights reserved.

[www.ultracousticin.com](http://www.ultracousticin.com)