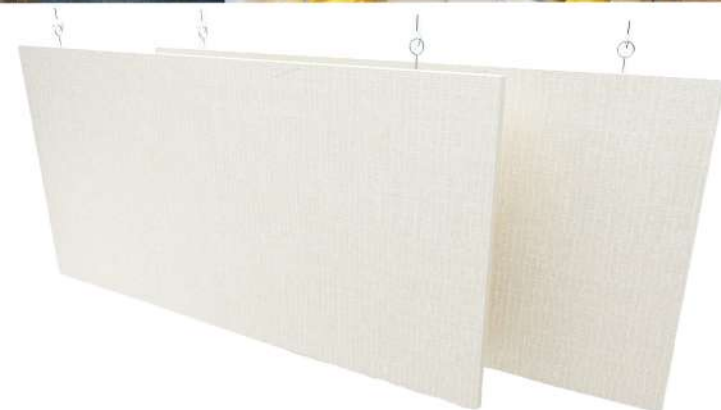
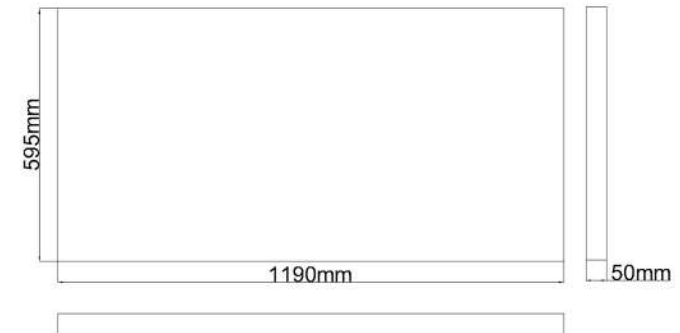
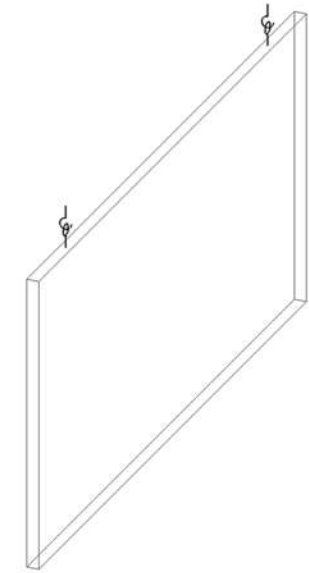


Neptune Baffle

Absorber



Absorption range: 500Hz to 8000Hz.
Acoustic Class = NRC 0.9
Finishes: Standard Fabric | Suede

Installation - Hooks | Glue
Application - Ceiling
Fire Rating - FR

The Ultracoustic Neptune Baffle is a high performance acoustic baffle designed for more demanding installations where added sound control is important. The Neptune is made with high-density mineral wool clamped together. Each panel is wrapped in a high-end acoustically translucent fabric that is easy to clean. The Neptune comes ready with the adjustable hanging Hooks and are ready to install right out of the box. Installing the Neptune Baffle is easy and the results are immediately noticeable with lesser room problems, shorter reverberation time and improved intelligibility.